

Bearings

Metric Series 1
Metric Series 2
Metric Series Flagged 1
Metric Series Flagged 2
Inch Series R FR REE FREE
Inch Series 1600
Series 3000
Inch Series 6000
Inch Series 6200
Series 63000 62200 62300
Series W6200 W6300
Series SC20 SC300

Series 5200 W5200
Series 5300 W5300
Series 7000
Series 7200
Series 7300
Series 1200 1200K 1300 1300K
Series 2200 2200K 2300 2300K
Series 8000 8700
Series 88000
Series WC8000 WC87000
Series WC88000

Track Roller
Metric
Special
RLS RMS
Series M6200
Series 5100 51200 51300
Inch Series 6800 6900
Series 7500 7600
Series 3200 W3300
Series 6300
Series 16000 6700

*** Larger size or new sizes available upon request ***



JCSB Industrial, Inc.

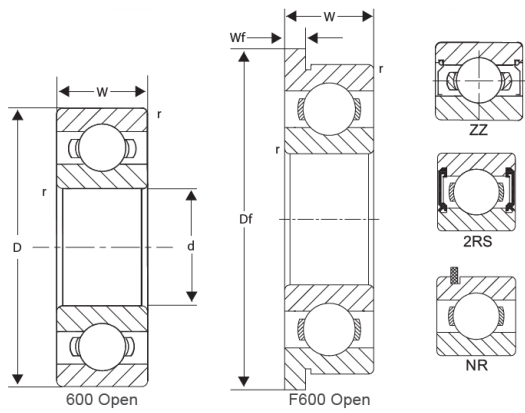
P. O. Box 91413 | City of Industry | CA 91715-1413

Email: sales@jcsbinc.com

www.JCSBInc.com

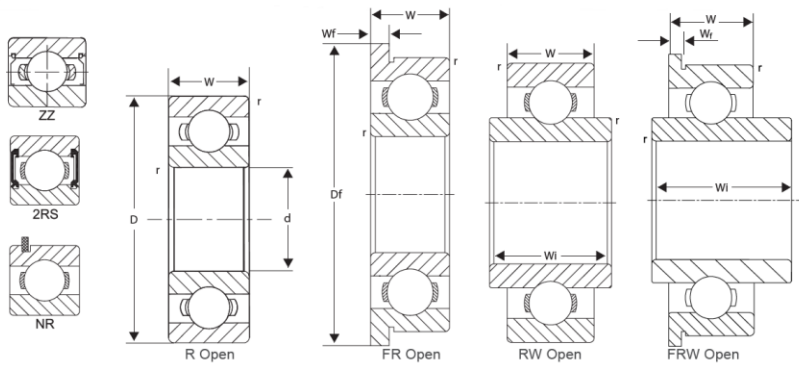
Visit Us Website for more information

Metric Series 1



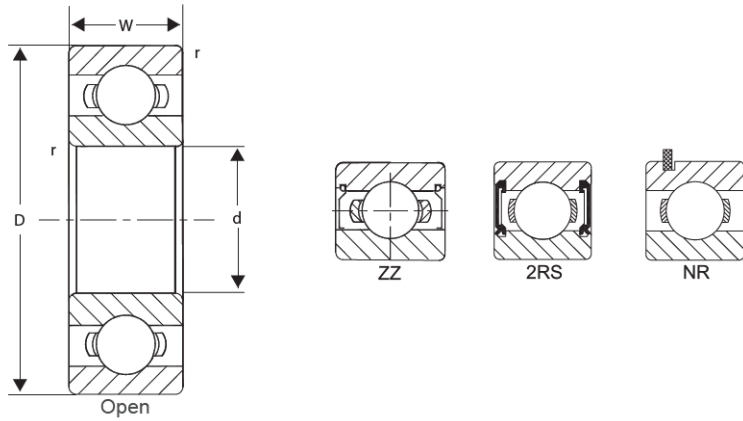
Bearing No.	Bore d	Outer Diameter D	Width W		Flange Dimensions		Radius r	Basic Load Rating (lbs.)		Weight (lbs.) Open
			Open	Shielded	D _f	Open W _f		Dynamic C	Static C ₀	
681	1	3	1	-	-	-	0.15	18	5	.0001
691	1	4	1.6	-	-	-	0.2	35	9.5	.0002
681X	1.5	4	1.2	2	5	0.4	0.2	36	10	.0002
691X	1.5	5	2	2.6	6.5	0.6	0.3	53	15	.0004
601X	1.5	6	2.5	3	7.5	0.6	0.3	62	19	.001
682	2	5	1.5	2.3	6.1	0.5	0.2	38	11	.0003
692	2	6	2.3	3	7.5	0.6	0.3	63	20	.001
602	2	7	2.8	3.5	8.5	0.7	0.3	86	28	.001
682X	2.5	6	1.8	2.6	7.1	0.5	0.3	47	16	.001
692X	2.5	7	2.5	3.5	8.5	0.7	0.3	64	22	.001
602X	2.5	8	2.8	4	9.5	0.7	0.3	123	39	.001
683	3	7	2	3	8.1	0.5	0.3	87	29	.001
693	3	8	3	4	9.5	0.7	0.3	126	40	.001
603	3	9	3	5	10.5	0.7	0.3	142	49	.002
623	3	10	4	4	11.5	1.0	0.3	144	50	.003
633	3	13	5	5	15	1.0	0.5	295	116	.005
684	4	9	2.5	4	10.3	0.6	0.3	144	50	.001
694	4	11	4	4	12.5	1.0	0.3	161	62	.004
604	4	12	4	4	13.5	1.0	0.4	218	80	.005
624	4	13	5	5	15	1.0	0.4	295	110	.007
634	4	16	5	5	-	-	0.3	395	153	.011
685	5	11	3	5	12.5	0.8	0.3	161	63	.003
695	5	13	4	4	15	1.0	0.4	242	97	.005
605	5	14	5	5	16	1.0	0.4	299	114	.007
625	5	16	5	5	18	1.0	0.3	395	153	.010
635	5	19	6	6	-	-	0.3	525	199	.017
686	6	13	3.5	5	15	1.0	0.3	243	99	.004
696	6	15	5	5	17	1.2	0.4	305	119	.009
606	6	17	6	6	19	1.2	0.5	495	195	.013
626	6	19	6	6	22	1.5	0.5	525	199	.017
636	6	22	7	7	-	-	-	-	-	-
687	7	14	3.5	5	16	1.0	0.3	264	115	.004
697	7	17	5	5	19	1.2	0.3	360	160	-
607	7	19	6	6	-	-	0.3	505	205	.018
627	7	22	7	7	-	-	0.3	750	315	.024
637	7	26	9	9	-	-	-	-	-	-
688	8	16	4	5	18	1.0	0.3	283	131	.007
698	8	19	6	6	22	1.5	0.3	445	194	-
608	8	22	7	7	25	1.5	0.3	750	315	.024
628	8	24	8	8	-	-	0.3	900	355	.026
638	8	28	8	9	-	-	-	-	-	-
689	9	17	4	5	19	1.0	0.3	390	184	.013
699	9	20	6	6	-	-	0.3	560	245	-
609	9	24	7	7	-	-	0.3	765	325	.026
629	9	26	8	8	-	-	0.6	1030	440	.040
639	9	30	10	10	10	-	-	-	-	-

Inches Series R FR REE FREE



Bearing No.	Bore d		Outer Diameter D		Width W				Flange Dimensions Open		Radius r (in.)	Basic Load Rating (lbs.)		Weight (lbs.) Open
	Fraction	in.	Fraction	in.	W(in.)		Wi(in.)		D _f	Open W _f		Dynamic C	Static C ₀	
					Open	Shielded	Open	Shielded						
R09	1/25	.0400	1/8	.1250	.0469	-	-	-	-	-	0.004	22	6	.0001
R0	3/64	.0469	5/32	.1562	.0625	.0937	.0937	.1250	.203	0.13	0.004	36	10	.0002
R1	-	.0550	3/16	.1875	.0781	.1094	.1094	.1406	.234	.023	0.004	42	13	.001
R1-4	5/64	.0781	1/4	.2500	.0937	.1406	.1250	.1719	.296	.023	0.004	63	20	.001
R133	3/32	.0937	3/16	.1875	.0625	.0937	.0937	.1250	.234	.018	0.004	28	9.5	.0002
R1-5	3/32	.0937	5/16	.3125	.1094	.1406	.1406	.1719	.359	.023	0.006	96	34	.001
R144	1/8	.1250	1/4	.2500	.0937	.1094	.1250	.1406	.296	.023	0.004	64	22	.001
R2-5	1/8	.1250	5/16	.3125	.1094	.1406	.1406	.1719	.359	.023	0.004	126	40	.002
R2-6	1/8	.1250	3/8	.3750	.1094	.1406	.1406	.1719	.422	.023	0.006	144	50	.002
R2	1/8	.1250	3/8	.3750	.1562	.1562	.1875	.1875	.440	.030	0.012	144	50	.003
R2A	1/8	.1250	1/2	.5000	.1719	.1719	-	-	-	-	0.012	258	89	.007
R155	5/32	.1562	5/16	.3125	.1094	.1250	.1406	.1562	.359	.023	0.004	76	30	.001
R156	3/16	.1875	5/16	.3125	.1094	.1250	.1406	.1562	.359	.023	0.004	89	32	.001
R166	3/16	.1875	3/8	.3750	.1250	.1250	.1562	.1562	.422	.023	0.004	160	60	.002
R3	3/16	.1875	1/2	.5000	.1562	.1960	.2272	.2272	.565	.042	0.012	295	110	.005
R3A	3/16	.1875	5/8	.6250	.1960	.1960	-	-	-	-	0.012	295	110	.006
R168	1/4	.2500	3/8	.3750	.1250	.1250	.1562	.1562	.422	.023	0.004	60	31	.001
R188	1/4	.2500	1/2	.5000	.1250	.1875	.1562	.2188	.547	.023	0.006	186	84	.004
R4	1/4	.2500	5/8	.6250	.1960	.1960	.2272	.2272	.690	.042	0.012	335	139	.010
R4A	1/4	.2500	3/4	.7500	.2188	.2812	-	-	-	-	0.016	525	199	.017
R1810	5/16	.3125	1/2	.5000	.1562	.1562	.1875	.1875	.5470	.031	.005	117	57	-
R1038	3/8	.3750	5/8	.6250	.1562	.1562	-	-	-	-	.010	187	92	-
R1238	3/8	.3750	3/4	.7500	.1960	.1960	-	-	-	-	.010	385	189	-
R1412	1/2	.5000	7/8	.8750	.1960	.1960	-	-	-	-	.010	422	222	-
R8	1/2	.5000	1-1/8	1.1250	.2500	.3125	-	-	1.225	.062	0.016	1148	535	.039
R1458	5/8	.6250	7/8	.8750	.1562	.1562	-	-	-	-	.010	202	130	-
R1658	5/8	.6250	1	1.0000	.1960	.1960	-	-	-	-	.010	462	295	-
R10	5/8	.6250	1-3/8	1.3750	.2812	.3438	-	-	-	-	.031	347	734	-.081
R1634	3/4	.7500	1	1.0000	.1562	.1562	-	-	-	-	.010	216	139	-
R1834	3/4	.7500	1-1/8	1.1250	.2182	.2812	-	-	-	-	.016	225	154	-
R12	3/4	.7500	1-5/8	1.6250	.3125	.4375	-	-	-	-	0.031	1770	1018	.104
R14	7/8	.8750	1-7/8	1.8750	.3750	.5000	-	-	-	-	0.031	2261	1316	.157
R16	1	1.0000	2	2.0000	.3750	.5000	-	-	-	-	0.031	2261	1316	.187
R18	1-1/8	1.1250	2-1/8	2.1250	.3750	.5000	-	-	-	-	0.031	2150	1407	.198
R20	1-1/4	1.2500	2-1/4	2.2500	.3750	.5000	-	-	-	-	0.031	2973	1858	.209
R22	1-3/8	1.3750	2-1/2	2.5000	.4375	.5625	-	-	-	-	0.031	2756	1910	.232
R24	1-1/2	1.5000	2-5/8	2.6250	.4375	.5626	-	-	-	-	0.031	2906	2084	.309

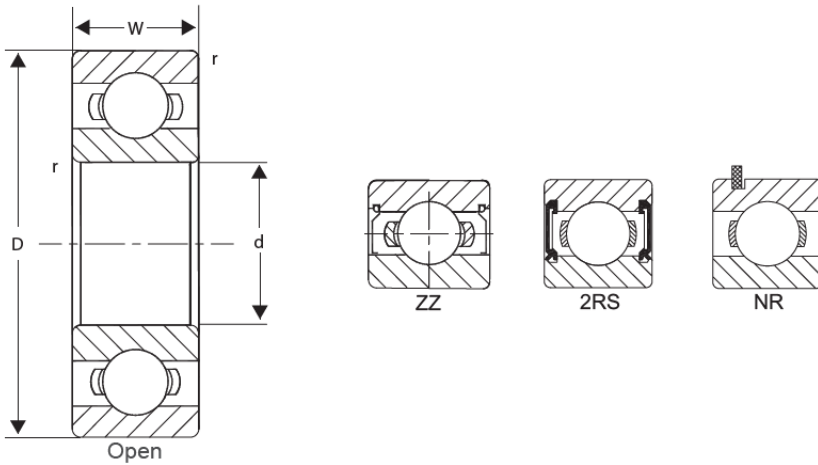
Inches Series 1600



Bearing No.	Bore d		Outer Diameter D		Width W		Radius r (in.)	Basic Load Rating (lbs.)		Weight (lbs.)
	Fraction	in.	Fraction	in.	Fraction	in.		Dynamic C	Static C ₀	
1601	3/16	.1875	11/16	.6875	*1/4	.2500	0.011	440	170	.015
1602	1/4	.2500	11/16	.6875	*1/4	.2500	0.011			.013
1603	5/16	.3125	7/8	.8750	**9/32	.2812	0.011	740	310	.024
1604	3/8	.3750	7/8	.8750	**9/32	.2812	0.011	750	320	.032
1605	5/16	.3125	29/32	.9062	5/16	.3125	0.011	740	310	.026
1606	3/8	.3750	29/32	.9062	5/16	.3125	0.011	750	320	.030
1607	7/16	.4375	29/32	.9062	5/16	.3125	0.011	610	290	.035
1614	3/8	.3750	1-1/8	1.1250	3/8	.3750	0.023			.077
1615	7/16	.4375	1-1/8	1.1250	3/8	.3750	0.023	1150	540	.071
1616	1/2	.5000	1-1/8	1.1250	3/8	.3750	0.023			.066
1620	7/16	.4375	1-3/8	1.3750	7/16	.4375	0.023			.110
1621	1/2	.5000	1-3/8	1.3750	7/16	.4375	0.023	1720	840	.106
1622	9/16	.5625	1-3/8	1.3750	7/16	.4375	0.023			.101
1623	5/8	.6250	1-3/8	1.3750	7/16	.4375	0.023			.088
1628	5/8	.6250	1-5/8	1.6250	1/2	.5000	0.023	2100	1110	.159
1630	3/4	.7500	1-5/8	1.6250	1/2	.5000	0.023	2110	1140	.143
1633	5/8	.6250	1-3/4	1.7500	1/2	.5000	0.025	3060	1480	.203
1635	3/4	.7500	1-3/4	1.7500	1/2	.5000	0.023			.187
1638	3/4	.7500	2	2.0000	9/16	.5625	0.039	2890	1500	.265
1640	7/8	.8750	2	2.0000	9/16	.5625	0.039	2260	1330	.247
1641	1	1.0000	2	2.0000	9/16	.5625	0.039	2410	1460	.221
1652	1-1/8	1.1250	2-1/2	2.5000	5/8	.6250	0.043	4380	2560	.463
1654	1-1/4	1.2500	2-1/2	2.5000	5/8	.6250	0.043	3650	2330	.419
1657	1-1/4	1.2500	2-9/16	2.5625	11/16	.6875	0.043	4380	2560	.474
1658	1-5/16	1.3125	2-9/16	2.5625	11/16	.6875	0.035			.441

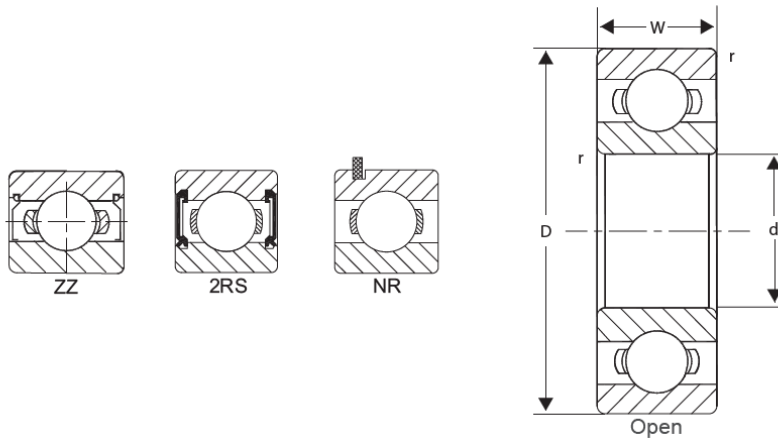
*Width sealed = 5/16 in. ** Width sealed = 11/32 in.

Series 6200 – Metric & Inches



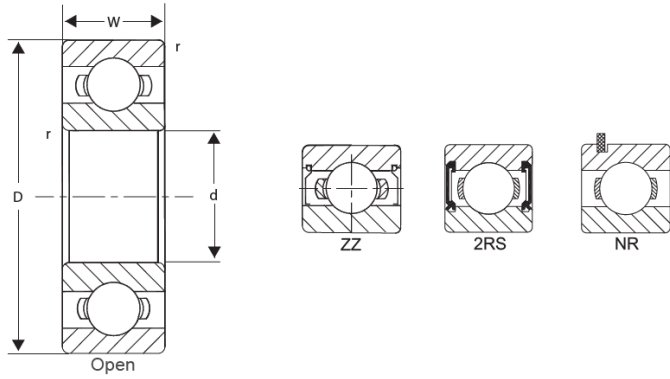
Bearing No.	Bore d		Outer Diameter D		Width W		Radius r		Basic Load Rating (lbs.)		Weight (lbs.)
	mm.	in.	mm.	in.	mm.	in.	mm.	in.	Dynamic C	Static C ₀	
6200	10	.3937	30	1.1811	9	.3543	0.6	.023	1150	530	.071
6201	12	.4724	32	1.2598	10	.3937	0.6	.023	1530	680	.082
6201-1/2	12.7	.5000	32	1.2598	10	.3937	0.6	.023	1535	685	.082
6201-13	13	.5118	32	1.2598	10	.3937	0.6	.023	1540	690	.082
6202	15	.5906	35	1.3780	11	.4331	0.6	.023	1710	830	.099
6202-1/2	12.7	.5000	35	1.3780	11	.4331	0.6	.023	1740	805	.110
6202-5/8	15.875	.6250	35	1.3780	11	.4331	0.6	.023	1740	805	.090
6202-16	16	.6299	35	1.3780	11	.4331	0.6	.023	1720	840	.090
6203	17	.6693	40	1.5748	12	.4724	0.6	.023	2150	1070	.143
6203-1/2	12.7	.5000	40	1.5748	12	.4724	0.6	.023	2160	1030	.154
6203-15	15	.5906	40	1.5748	12	.4724	0.6	.023	2140	1050	.148
6203-5/8	15.875	.6250	40	1.5748	12	.4724	0.6	.023	2160	1030	.150
6203-16	16	.6299	40	1.5748	12	.4724	0.6	.023	2140	1060	.150
6203-3/4	19.05	.7500	40	1.5748	12	.4724	0.6	.023	2160	1030	.140
6204	20	.7874	47	1.8504	14	.5512	1.0	.039	2880	1480	.234
6204-3/4	19.05	.7500	47	1.8504	14	.5512	1.0	.039	2890	1500	.236
6204-7/8	22.225	.8750	47	1.8504	14	.5512	1.0	.039	2890	1500	.230
6205	25	.9843	52	2.0472	15	.5906	1.0	.039	3150	1770	.282
6205-16	25.4	1.0000	52	2.0472	15	.5906	1.0	.039	3150	1770	.280
6206	30	1.1811	62	2.4409	16	.6299	1.0	.039	4380	2550	.439
6207	35	1.3780	72	2.8346	17	.6693	1.1	.043	5770	3460	.635
6208	40	1.5748	80	3.1496	18	.7087	1.1	.043	6640	4100	.807
6209	45	1.7717	85	3.3465	19	.7480	1.1	.043	7130	4670	.897
6210	50	1.9685	90	3.5433	20	.7874	1.1	.043	7890	5260	1.02
6211	55	2.1654	100	3.9370	21	.8268	1.5	.059	9760	6620	1.34
6212	60	2.3622	110	4.3307	22	.8661	1.5	.059	10740	7470	1.73
6213	65	2.5591	120	4.7244	23	.9055	1.5	.059	12870	9080	2.18
6214	70	2.7559	125	4.9213	24	.9449	1.5	.059	13690	10120	2.36
6215	75	2.9528	130	5.1181	25	.9843	1.5	.059	14890	11120	2.60
6216	80	3.1496	140	5.5118	26	1.0236	2.0	.078	16100	12280	3.09
6217	85	3.3465	150	5.9055	28	1.1024	2.0	.078	18730	14410	3.95
6218	90	3.5433	160	6.2992	30	1.1811	2.0	.078	21590	16210	4.74
6219	95	3.7402	170	6.6929	32	1.2598	2.1	.082	24810	18800	5.78
6220	100	3.9370	180	7.0866	34	1.3386	2.1	.082	27480	21040	6.92
6221	105	4.1339	190	7.4803	36	1.4173	2.1	.082	29920	23690	8.16
6222	110	4.3307	200	7.8740	38	1.4961	2.1	.082	32420	26480	9.61
6224	120	4.7244	215	8.4646	40	1.5748	2.1	.082	34940	29750	11.4
6226	130	5.1181	230	9.0551	40	1.5748	3.0	.059	37410	33380	12.8

Series 6300 - Metric



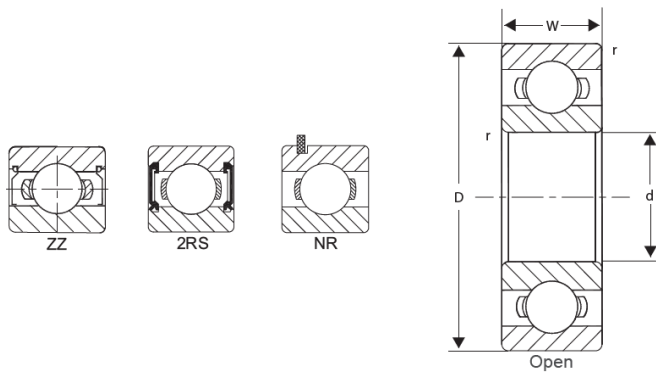
Bearing No.	Bore d		Outer Diameter D		Width W		Radius r		Basic Load Rating (lbs.)		Weight (lbs.)
	mm.	in.	mm.	in.	mm.	in.	mm.	in.	Dynamic C	Static C ₀	
6300	10	.3937	35	1.3780	11	.4331	0.6	.023	1700	760	.117
6301	12	.4724	37	1.4567	12	.4724	1.0	.039	2180	950	.132
6302	15	.5906	42	1.6535	13	.5118	1.0	.039	2550	1200	.181
6303	17	.6693	47	1.8504	14	.5512	1.0	.039	3040	1470	.254
6304	20	.7874	52	2.0472	15	.5906	1.1	.043	3590	1770	.317
6305	25	.9843	62	2.4409	17	.6693	1.1	.043	5040	2590	.511
6306	30	1.1811	72	2.8346	19	.7480	1.1	.043	6060	3400	.763
6307	35	1.3780	80	3.1496	21	.8268	1.5	.059	7490	4300	1.01
6308	40	1.5748	90	3.5433	23	.9055	1.5	.059	9160	5400	1.40
6309	45	1.7717	100	3.9370	25	.9843	1.5	.059	11870	7130	1.84
6310	50	1.9685	110	4.3307	27	1.0630	2.0	.078	13910	8350	2.36
6311	55	2.1654	120	4.7244	29	1.1417	2.0	.078	16080	10050	3.02
6312	60	2.3622	130	5.1181	31	1.2205	2.1	.082	18390	11690	3.75
6313	65	2.5591	140	5.5118	33	1.2992	2.1	.082	21120	13620	4.59
6314	70	2.7559	150	5.9055	35	1.3780	2.1	.082	23430	15340	5.56
6315	75	2.9526	160	6.2992	37	1.4567	2.1	.082	25520	17350	6.66
6316	80	3.1496	170	6.6929	39	1.5354	2.1	.082	27660	19500	7.91
6317	85	3.3465	180	7.0866	41	1.6142	3.0	.118	29840	21770	9.33
6318	90	3.5433	190	7.4803	43	1.6929	3.0	.118	32410	24450	10.8
6319	95	3.7402	200	7.8740	45	1.7717	3.0	.118	35240	27500	12.5
6320	100	3.9370	215	8.4646	47	1.8504	3.0	.118	38920	31650	15.4
6321	105	4.1339	225	8.8583	49	1.9291	3.0	.118	41320	34510	17.7
6322	110	4.3307	240	9.4488	50	1.9685	3.0	.118	46110	40190	21.0
6324	120	4.7244	260	10.2362	55	2.1654	3.0	.118	51200	46750	27.3

Series 6800 – Metric



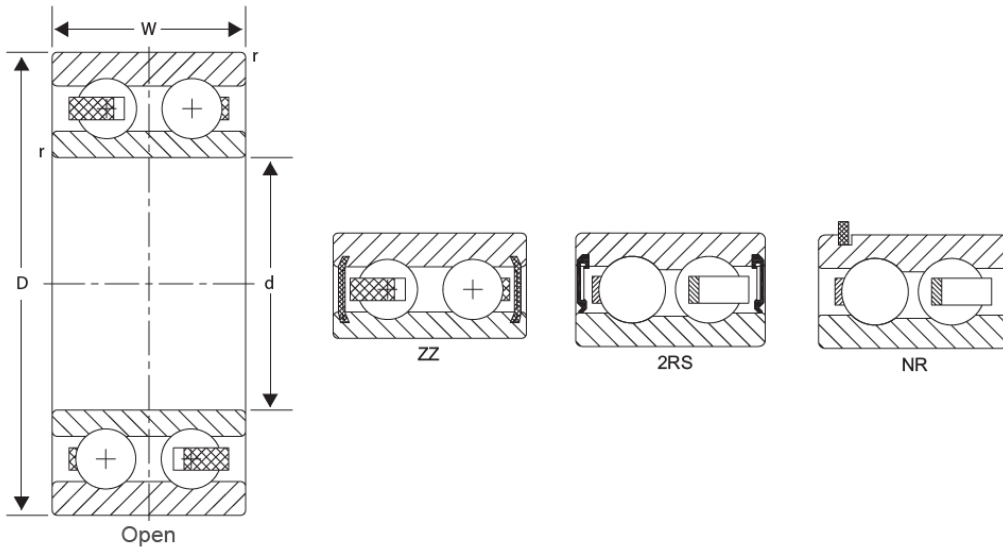
Bearing No.	Bore d		Outer Diameter D		Width W		Radius r		Basic Load Rating (lbs.)		Weight (lbs.)	
	mm.	in.	mm.	in.	mm.	in.	mm.	in.	Dynamic C	Static C ₀	kg.	lbs.
6800	10	.3937	19	.7480	5	.1969	0.3	.011	360	170	.005	.011
6801	12	.4724	21	.8268	5	.1969	0.3	.011	430	240	.006	.013
6802	15	.5906	24	.9449	5	.1969	0.3	.011	470	290	.007	.015
6803	17	.6693	26	1.0236	5	.1969	0.3	.011	480	310	.008	.018
6804	20	.7874	32	1.2598	7	.2756	0.3	.011	780	570	.019	.042
6805	25	.9843	37	1.4567	7	.2756	0.3	.011	830	600	.022	.049
6806	30	1.1811	42	1.6535	7	.2756	0.3	.011	900	730	.026	.057
6807	35	1.3780	47	1.8504	7	.2756	0.3	.011	960	850	.029	.064
6808	40	1.5748	52	2.0472	7	.2756	0.3	.011	1020	950	.033	.073
6809	45	1.7717	58	2.2835	7	.2756	0.3	.011	1070	1050	.040	.088
6810	50	1.9685	65	2.5591	7	.2756	0.3	.011	1680	1720	.052	.115
6811	55	2.1654	72	2.8346	9	.3543	0.3	.011	2040	1990	.083	.183
6812	60	2.3622	78	3.0709	10	.3937	0.3	.011	2060	2050	.106	.234
6813	65	2.5591	85	3.3465	10	.3937	0.6	.023	2120	2200	.128	.282
6814	70	2.7559	90	3.5433	10	.3937	0.6	.023	2240	2440	.137	.302
6815	75	2.9528	95	3.7402	10	.3937	1	.039	2820	2890	.145	.319
6816	80	3.1496	100	3.9370	10	.3937	1	.039	2850	2990	.154	.338
6817	85	3.3465	110	4.3307	13	.5118	1.5	.059	4200	4250	.270	.594
6818	90	3.5433	115	4.5276	13	.5118	1.5	.059	4250	4450	.285	.627
6819	95	3.7402	120	4.7244	13	.5118	1.5	.059	7400	7100	.300	.660
6820	100	3.9370	125	4.9213	13	.5118	1.5	.059	4400	4750	.313	.688
6821	105	4.1339	130	5.1181	13	.5118	1.5	.059	4450	4950	.330	.726
6822	110	4.3307	140	5.5118	16	.6299	1.5	.059	6450	7200	.515	1.133
6824	120	4.7244	150	5.9055	16	.6299	1.5	.059	6500	7400	.555	1.760
6826	130	5.1181	165	6.4961	18	.7087	2	.078	7420	8830	.800	1.760

Series 6900 – Metric



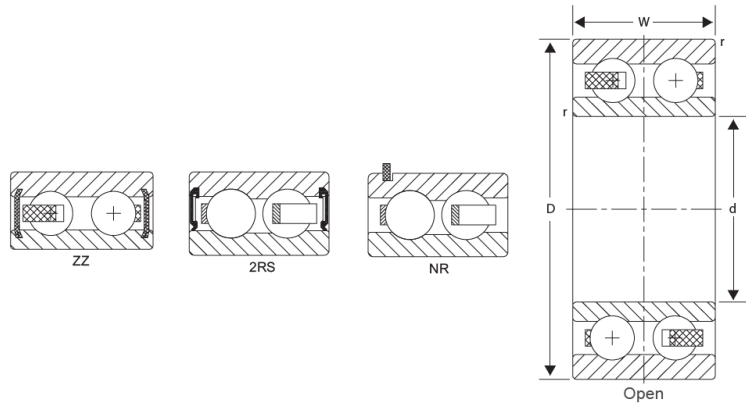
Bearing No.	Bore d		Outer Diameter D		Width W		Radius r		Basic Load Rating (lbs.)		Weight (lbs.)
	mm.	in.	mm.	in.	mm.	in.	mm.	in.	Dynamic C	Static C ₀	
6900	10	.3937	22	.8661	6	.2362	0.3	.011	610	290	.020
6901	12	.4724	24	.9449	6	.2362	0.3	.011	650	330	.024
6902	15	.5906	28	1.1024	7	.2756	0.3	.011	970	510	.035
6903	17	.6693	30	1.1811	7	.2756	0.3	.011	1030	580	.040
6904	20	.7874	37	1.4567	9	.3543	0.3	.011	1430	830	.079
6905	25	.9843	42	1.6535	9	.3543	0.3	.011	1580	1030	.093
6906	30	1.1811	47	1.8504	9	.3543	0.3	.011	1630	1140	.106
6907	35	1.3780	55	2.1654	10	.3937	0.6	.023	2150	1560	.163
6908	40	1.5748	62	2.4409	12	.4724	0.6	.023	3080	2260	.243
6909	45	1.7717	68	2.6772	12	.4724	0.6	.023	3180	2480	.282
6910	50	1.9685	72	2.8346	12	.4724	0.6	.023	3270	2670	.291
6911	55	2.1654	80	3.1496	13	.5118	1.0	.059	4240	3440	.397
6912	60	2.3622	85	3.3465	13	.5118	1.0	.039	4370	3710	.425
6913	65	2.5591	90	3.5433	13	.5118	1.0	.039	4490	3980	.454
6914	70	2.7559	100	3.9370	16	.6299	1.0	.039	5340	4830	.736
6915	75	2.9528	105	4.1339	16	.6299	1.0	.039	5480	5150	.778
6916	80	3.1496	110	4.3307	16	.6299	1.5	.059	5600	5400	.822
6917	85	3.3465	120	4.7244	18	.7087	1.5	.059	7200	6650	1.18
6918	90	3.5433	125	4.9213	18	.7087	1.5	.059	4250	4450	1.22
6919	95	3.7402	130	5.1181	18	.7087	1.5	.059	7550	7550	1.28
6920	100	3.9370	140	5.5118	20	.7874	2	.079	9250	8900	1.73
6921	105	4.1339	145	5.7087	20	.7874	2	.079	9550	9450	1.80
6922	110	4.3307	150	5.9005	20	.7874	2	.079	9800	10000	1.87
6924	120	4.7244	165	6.4961	22	.8661	2	.079	11900	12200	2.54
6926	130	5.1181	180	7.0866	24	.9449	2	.079	14300	15050	3.47

Series 5200 – Double Row Metric



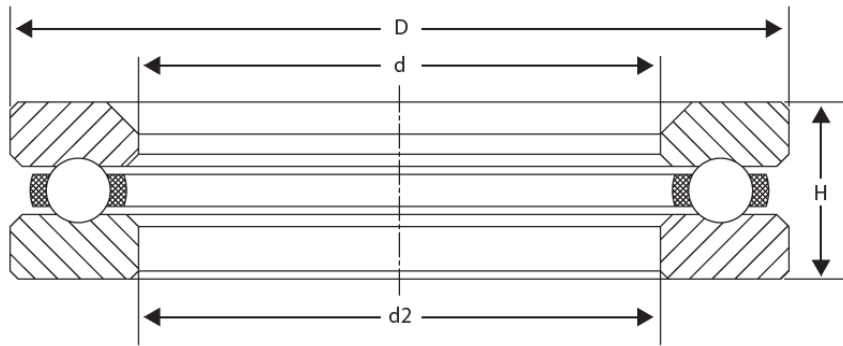
Bearing No.	Bore d		Outer Diameter D		Width W			Radius r		Basic Load Rating (lbs.)		Weight (lbs.)
	mm.	in.	mm.	in.	mm.	Fraction	in.	mm.	in.	Dynamic C	Static C ₀	
5200	10	.3937	30	1.1811	14.3	9/16	.5630	0.6	.023	1330	810	0.13
5201	12	.4742	32	1.2598	15.9	5/8	.6260	0.6	.023	1710	1010	0.16
5202	15	.5906	35	1.3780	15.9	5/8	.6260	0.6	.023	1980	1320	0.18
5203	17	.6693	40	1.5748	17.5	11/16	.6890	0.6	.023	2430	1600	0.20
W5203	17	.6693	40	1.5748	20.6	13/16	.8110	0.6	.023	2430	1600	0.20
5204	20	.7874	47	1.8504	20.6	13/16	.8110	1.0	.039	3840	2580	0.34
W5204	20	.7874	47	1.8504	23.8	15/16	.9375	1.0	.039	3840	2580	0.36
5205	25	.9843	52	2.0472	20.6	13/16	.8110	1.0	.039	4090	3000	0.42
W5205	25	.9843	52	2.0472	23.8	15/16	.9375	1.0	.039	4090	3000	0.45
5206	30	1.1811	62	2.4409	23.8	15/16	.9375	1.0	.039	5480	3990	0.64
W5206	30	1.1811	62	2.4409	27.0	1-1/16	1.0630	1.0	.039	5480	3990	0.74
5207	35	1.3780	72	2.8346	27.0	1-1/16	1.0630	1.1	.043	6850	5380	0.95
W5207	35	1.3780	72	2.8346	30.2	1-3/16	1.1890	1.1	.043	6850	5380	1.21
5208	40	1.5748	80	3.1496	30.2	1-3/16	1.1890	1.1	.043	9020	6910	1.26
5209	45	1.7717	85	3.3465	30.2	1-3/16	1.1890	1.1	.043	9620	7860	1.37
5210	50	1.9685	90	3.5433	30.2	1-3/16	1.1890	1.1	.043	10170	8800	1.48
5211	55	2.1654	100	3.9370	33.3	1-15/16	1.3110	1.5	.059	12140	10730	2.17
5212	60	2.3622	110	4.3307	36.5	1-7/16	1.4370	1.5	.059	15050	13490	2.80
5213	65	2.5591	120	4.7244	38.1	1-1/2	1.5000	1.5	.059	16530	15150	3.46
5214	70	2.7559	125	4.9213	39.7	1-9/16	1.5630	1.5	.059	16410	15300	3.97
5215	75	2.9528	130	5.1181	41.3	1-5/8	1.6260	1.5	.059	19790	18520	4.20
5216	80	3.1496	140	5.5118	44.4	1-3/4	1.7480	2.0	.078	22400	20950	5.50
5217	85	3.3465	150	5.9055	49.2	1-5/16	1.9375	2.0	.078	26070	24700	7.50
5218	90	3.5433	160	6.2992	52.4	2-1/16	2.0630	3.0	.118	31500	29000	9.90

Series 5300 – Double Row Metric



Bearing No.	Bore d		Outer Diameter D		Width W			Radius r		Basic Load Rating (lbs.)		Weight (lbs.)
	mm.	in.	mm.	in.	mm.	Fraction	in.	mm.	in.	Dynamic C	Static C ₀	
5300	10	.3937	35	1.3780	19.0	3/4	.7500	0.6	.024	1731	1224	0.22
5301	12	.4724	37	1.4567	19.0	3/4	.7500	1.0	.039	2260	1360	0.23
5302	15	.5906	42	1.6535	19.0	3/4	.7500	1.0	.039	2250	1420	0.38
5303	17	.6693	47	1.8504	22.2	7/8	.8740	1.0	.039	3840	2540	0.49
5304	20	.7874	52	2.0472	22.2	7/8	.8740	1.1	.043	3830	2630	0.51
W5304	20	.7874	52	2.0472	25.4	1	1.0000	1.1	.043	3830	2630	0.54
5305	25	.9843	62	2.4409	25.4	1	1.0000	1.1	.043	5960	4040	0.75
W5305	25	.9843	62	2.4409	29.6	1-1/8	1.1654	1.1	.043	5960	4040	0.89
5306	30	1.1811	72	2.8346	30.2	1-3/16	1.1890	1.1	.043	8370	5840	1.13
W5306	30	1.1811	72	2.8346	33.3	1-5/16	1.3125	1.1	.043	8370	5840	1.41
5307	35	1.3780	80	3.1496	34.9	1-3/8	1.3740	1.5	.059	10000	7160	1.74
W5307	35	1.3780	80	3.1496	38.1	1-1/2	1.5000	1.5	.059	10000	7160	1.89
5308	40	1.5748	90	3.5433	36.5	1-7/16	1.4370	1.5	.059	12360	9070	2.32
5309	45	1.7717	100	3.9370	39.7	1-9/16	1.5630	1.5	.059	16290	12190	3.10
5310	50	1.9685	110	4.3307	44.4	1-3/4	1.7480	2.0	.078	19200	14650	4.00
5311	55	2.1654	120	4.7244	49.2	1-15/16	1.9370	2.0	.078	20760	16970	5.11
5312	60	2.3622	130	5.1181	54.0	2-1/8	2.1260	2.1	.082	27330	21530	6.72
5313	65	2.5591	140	5.5118	58.7	2-5/16	2.3110	2.1	.082	30950	24790	8.60
5314	70	2.7559	150	5.9055	63.5	2-1/2	2.5000	2.1	.082	31000	25330	10.80
5315	75	2.9528	160	6.2992	68.3	2-11/16	2.6890	2.1	.082	38000	31500	12.10
5316	80	3.1496	170	6.6929	68.3	2-11/16	2.6890	2.1	.082	42000	34500	15.00

Series 51100 51200 51300 – Trust / Metric



Bearing No.	Bore d				Outer Diameter D		Width H		Basic Load Rating (lbs.)		Weight (lbs.)
	d		d2						Dynamic C_a	Static C_{0a}	
	mm.	in.	mm.	in.	mm.	in.					
51100	10	.3937	11	.433	24	.9449	9	.3543	2250	3150	.046
51101	12	.4724	13	.512	26	1.0236	9	.3543	2320	3450	.051
51102	15	.5906	16	.630	28	1.1024	9	.3543	2370	3750	.053
51103	17	.6693	18	.709	30	1.1811	9	.3543	2430	4100	.057
51104	20	.7874	21	.827	35	1.3780	10	.3937	3395	5980	.088
51105	25	.9843	26	1.024	42	1.6535	11	.4331	4400	8350	.132
51106	30	1.1811	32	1.260	47	1.8504	11	.4331	4600	9500	.152
51107	35	1.3780	37	1.457	52	2.0472	12	.4724	4960	11125	.187
51108	40	1.5748	42	1.654	60	2.3622	13	.5118	6050	14100	.276
51109	45	1.7717	47	1.850	65	2.5591	14	.5512	6250	15500	.326
51110	50	1.9685	52	2.047	70	2.7559	14	.5512	6450	17000	.355
51111	55	2.1654	57	2.244	78	3.0709	16	.6299	7800	20900	.498
51112	60	2.3622	62	2.441	85	3.3465	17	.6693	9300	25300	.653
51113	65	2.5591	67	2.638	90	3.5433	18	.7087	9400	26400	.745
51114	70	2.7559	72	2.835	95	3.7402	18	.7087	9700	28500	.785
51115	75	2.9528	77	3.031	100	3.9370	19	.7480	10000	30500	.880
51200	10	.3937	12	.472	26	1.0236	11	.4331	2850	3850	.066
51201	12	.4724	14	.551	28	1.1024	11	.4331	2960	4250	.075
51202	15	.5906	17	.669	32	1.2598	12	.4724	3750	5600	.101
51203	17	.6693	19	.748	35	1.3780	12	.4724	3850	6150	.119
51204	20	.7874	22	.866	40	1.5748	14	.5512	5050	8500	.179
51205	25	.9843	27	1.063	47	1.8504	15	.5906	6250	11300	.245
51206	30	1.1811	32	1.260	52	2.0472	16	.6299	6600	13100	.306
51207	35	1.3780	37	1.457	62	2.4409	18	.7087	8800	17600	.474
51208	40	1.5748	42	1.654	68	2.6772	19	.7480	10650	22100	.608
51209	45	1.7717	47	1.850	73	2.8740	20	.7874	10700	23600	.699
51210	50	1.9685	52	2.047	78	3.0709	22	.8661	10900	25100	.833
51211	55	2.1654	57	2.244	90	3.5433	25	.9843	15600	35500	1.34
51212	60	2.3633	62	2.441	95	3.7402	26	1.0236	16070	37995	1.49
51213	65	2.5591	67	2.638	100	3.9370	27	1.0630	16800	42500	1.69
51214	70	2.7559	72	2.835	105	4.1339	27	1.0630	17100	44500	1.75
51215	75	2.9528	77	3.031	110	4.3307	27	1.0630	17535	47000	1.93
51305	25	.9843	27	1.063	52	2.0472	18	.7087	8050	13800	.388
51306	30	1.1811	32	1.260	60	2.3622	21	.8268	9600	17700	.593
51307	35	1.3780	37	1.457	68	2.6772	24	.9449	12500	23500	.845
51308	40	1.5748	42	1.654	78	3.0709	26	1.0236	15600	30000	1.21
51309	45	1.7717	47	1.850	85	3.3465	28	1.1024	18000	36500	1.51